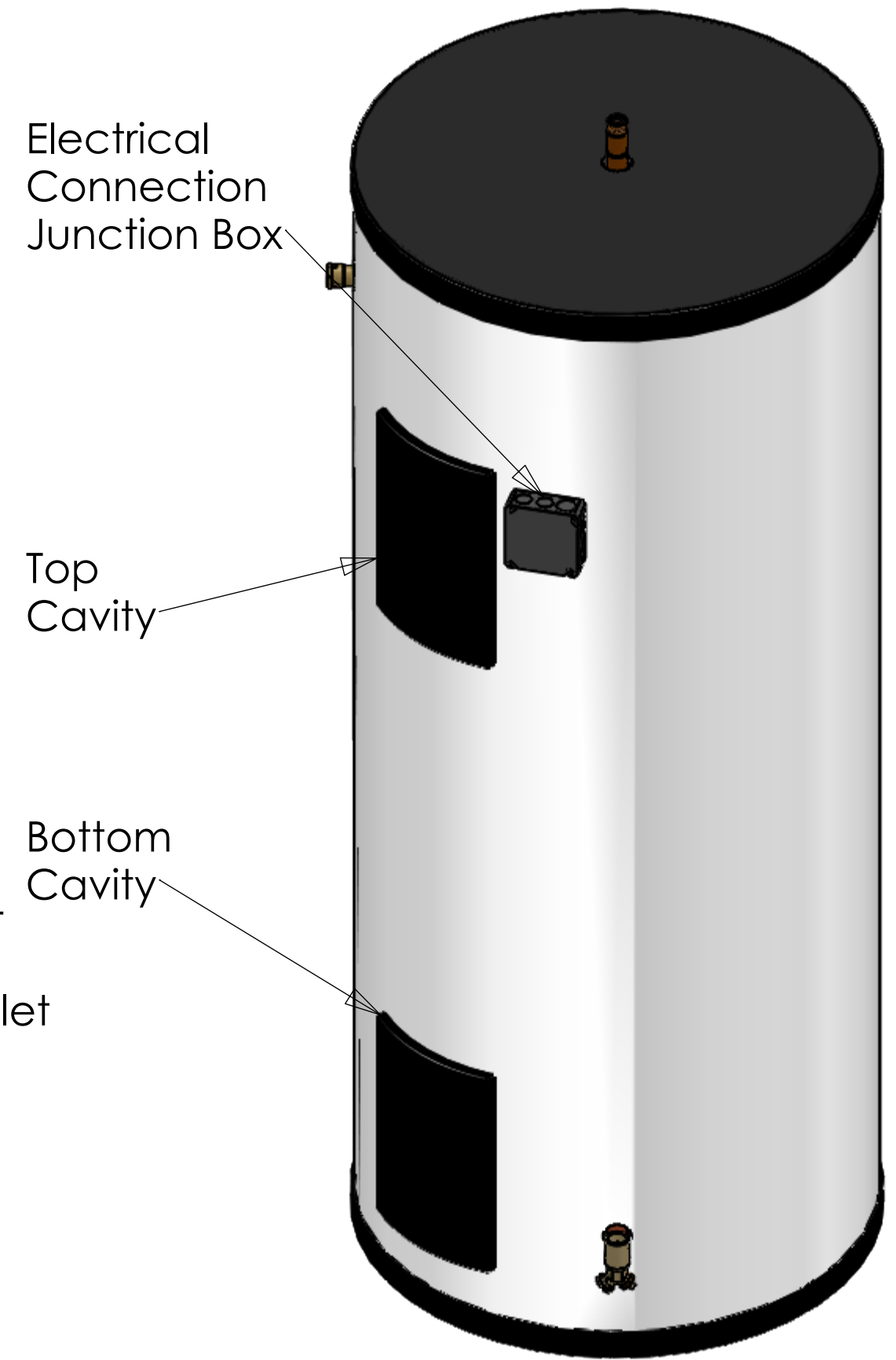
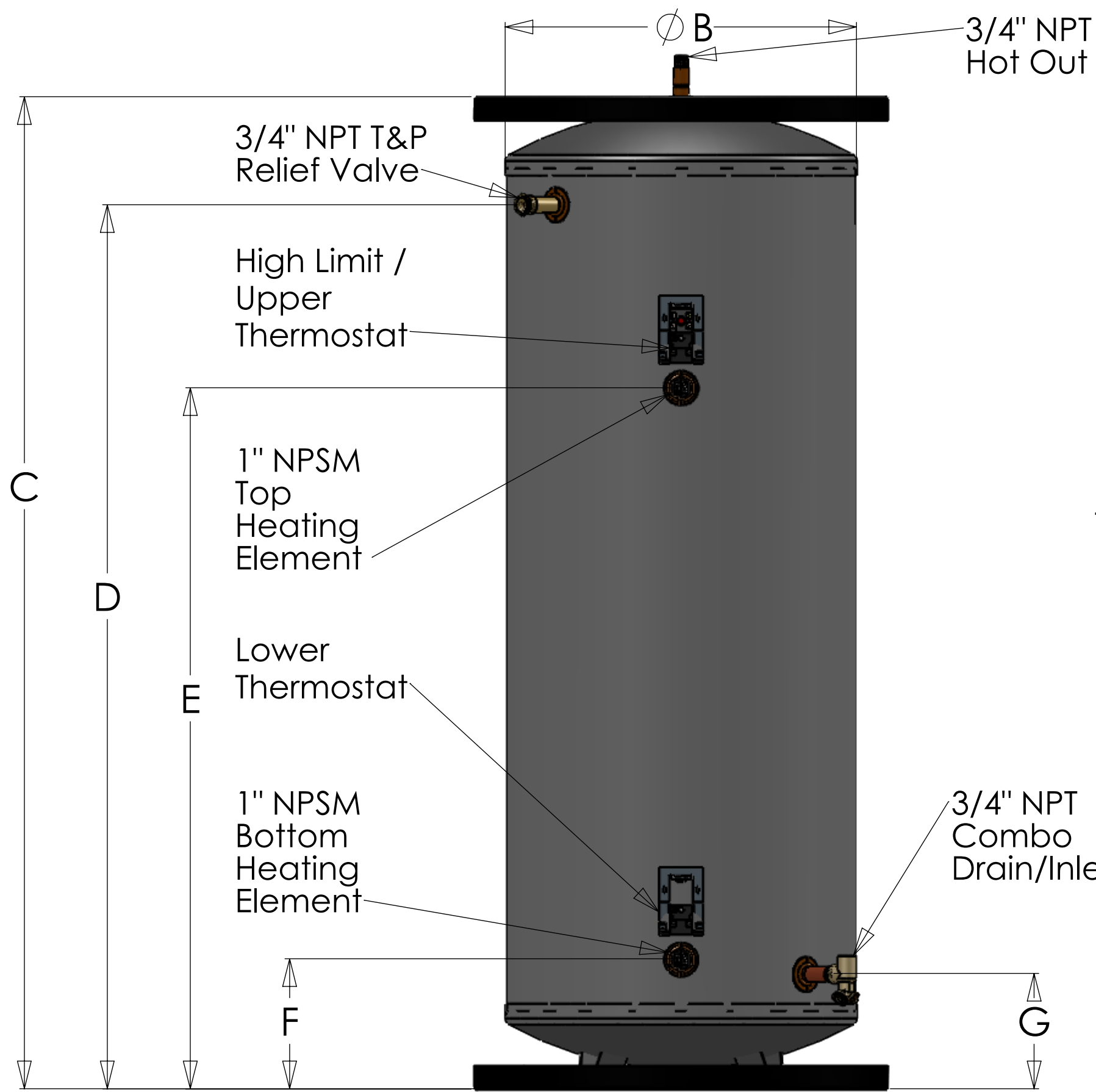


* For Model S6, "H" is on the same side with "I".



MODEL	A	B	C	D	E	F	G	H	I
	Jacket Diameter	Tank Diameter	Height to Pan	Height to T&P Relief Valve	Height to Top Element	Height to Bottom Element	Height to Combo Drain	Angle of T&P Relief Valve	Angle of Combo Drain
S6	15	12	18.0625	12.875	N/A	7.125	6.125	75*	60
S10	20	16	21.5	14.75	N/A	8.5	7.5	50	50
S20	20	16	32.75	26.75	N/A	8.5	7.5	50	50
S30	20	16	40.625	34.25	25.75	8.5	7.5	50	50
S40	20	16	56.25	50	36.5	8.5	7.5	50	50
S50	22.75	19	49.75	42.875	32.125	8.875	7.875	50	50
S50T	20	16	66.5	60	47.5	8.5	7.5	50	50
S55	22.75	19	58.25	50.875	37.375	8.875	7.875	50	50
S65	26	22	46.25	39.375	32.125	8.875	7.875	45	45
S70	22.75	19	67.25	60.375	49.125	8.875	7.875	50	50
S80	26	22	57.25	49.875	40.625	8.875	7.875	45	45
S80T	22.75	19	71.75	64.375	47.875	8.875	7.875	50	50
S100	26	22	67.5	60.375	47.875	8.875	7.875	45	45
S120	28	24	67.75	60.375	47.875	8.875	7.875	45	45

PROPRIETARY AND CONFIDENTIAL

THE INFORMATION CONTAINED IN THIS DRAWING IS CONFIDENTIAL AND PROPRIETARY. THE CONTENTS OF THIS DRAWING ARE THE SOLE PROPERTY OF VAUGHN THERMAL CORPORATION. ANY REPRODUCTION IN PART OR AS A WHOLE WITHOUT THE WRITTEN PERMISSION OF VAUGHN THERMAL CORPORATION IS PROHIBITED.

UNLESS OTHERWISE SPECIFIED:
DIMENSIONS ARE IN INCHES
TOLERANCES:
LINEAR: 1 Decimal Place = ± 0.1
2 Decimal Place = ± 0.01
3 Decimal Place = ± 0.005
ANGULAR: 0 Decimal Place = ± 1.0°
1 Decimal Place = ± 0.5°
INTERPRET GEOMETRIC TOLERANCING PER:
MATERIAL:
FINISH:

DRAWN	RP	NAME	DATE
CHECKED	RP		1/28/2014
ENG APPR.			8/31/2020
MFG APPR.			
Q.A.			

COMMENTS:

PART NUMBER:

VAUGHN
a nudyne company

Vaughn Thermal Corp.
TITLE: Tank Assembly Standard Electric Configurations

SIZE DWG. NO. REV
C V40A0220 C

SCALE: 1:8 SHEETS: 1